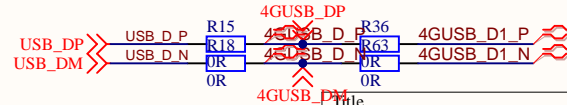
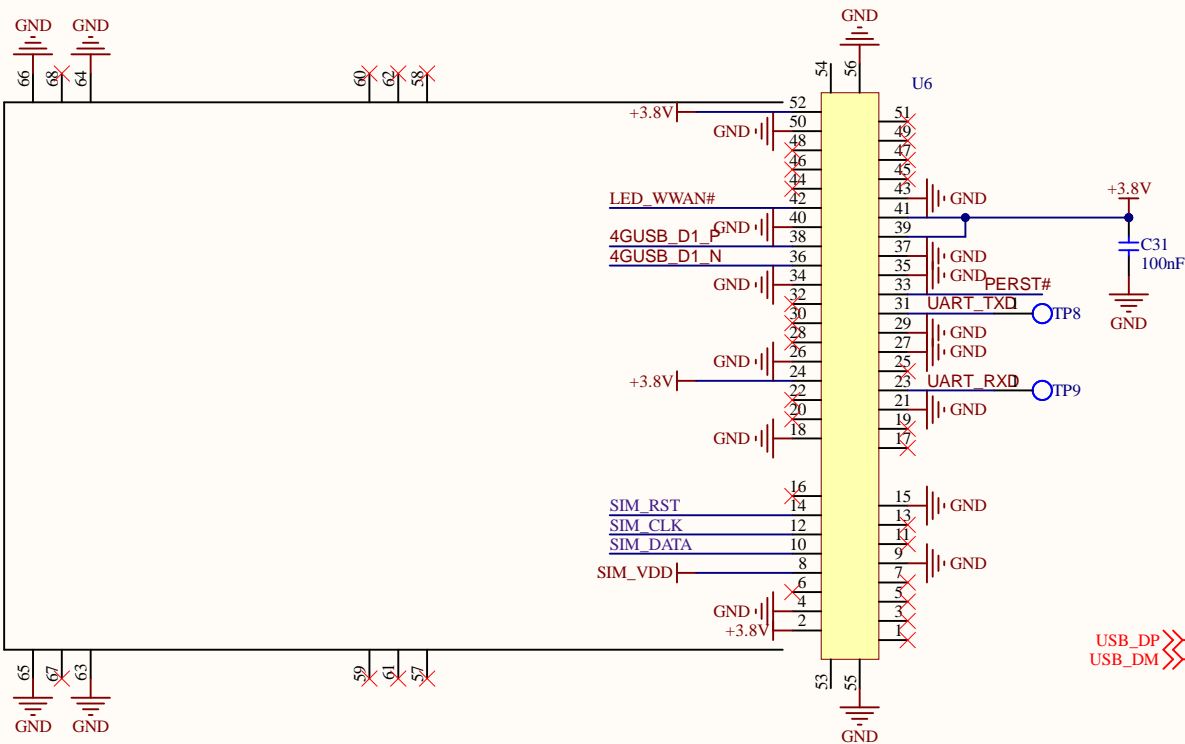
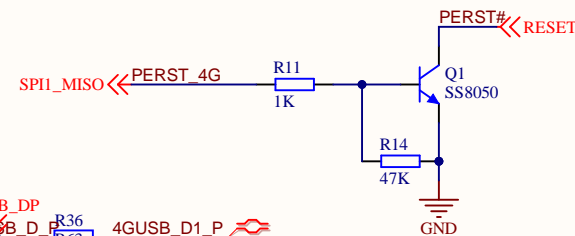
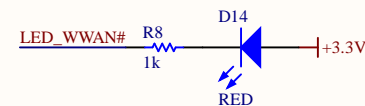
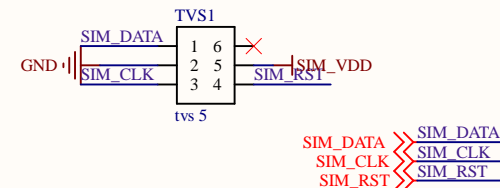
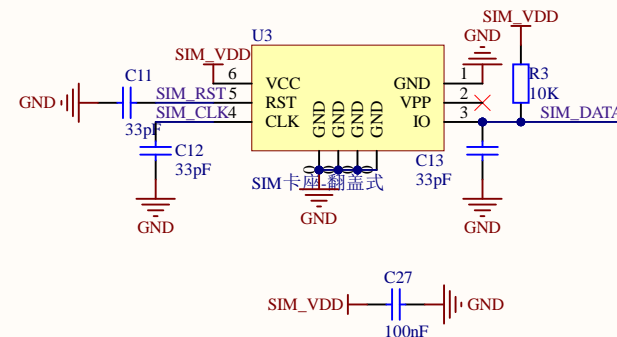
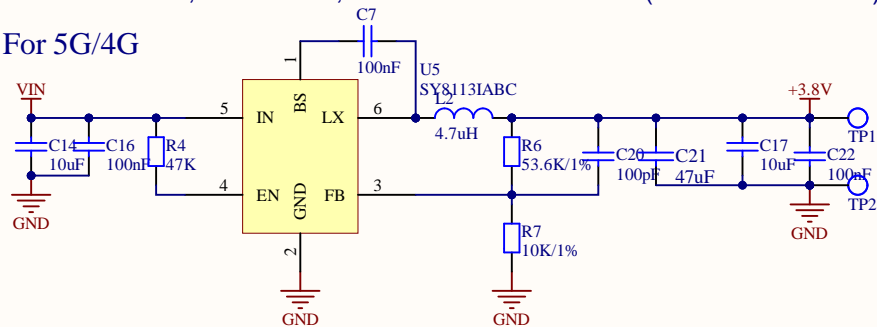
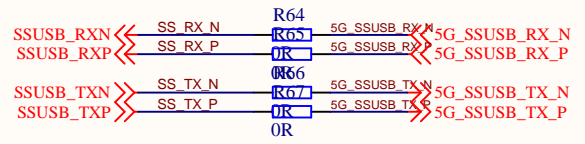
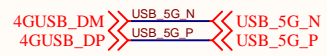
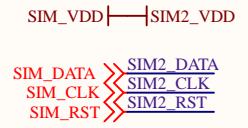
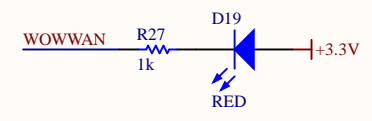
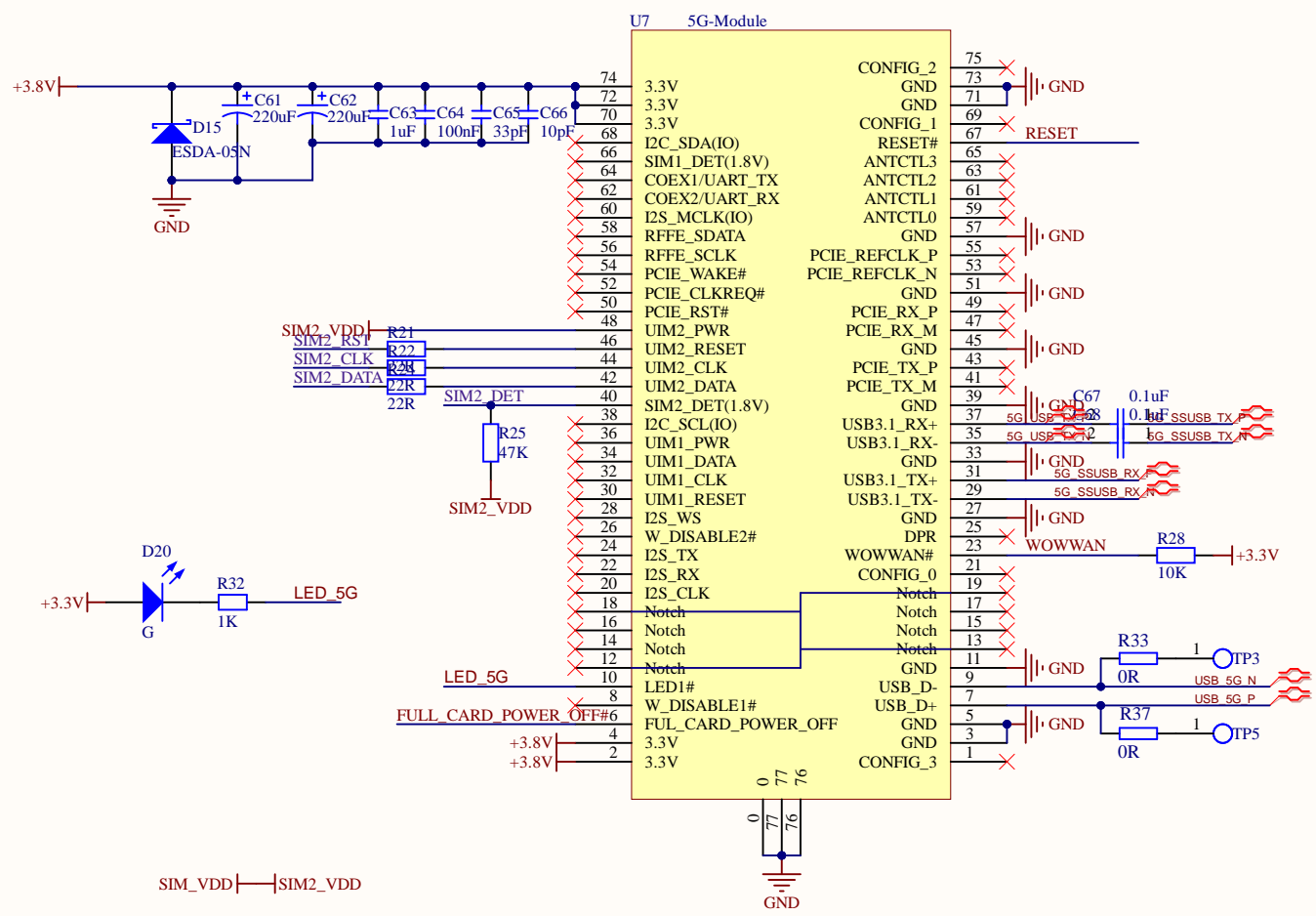


R1 = 53.6K, R2 = 10K; Vout = 3.8160 V (3.7523 ~ 3.8810)

For 5G/4G

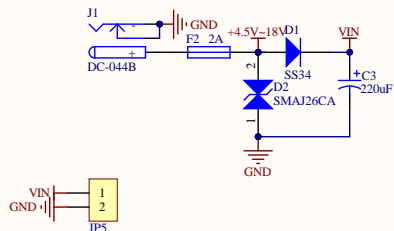


Title		
Size	Number	Revision
A4		
Date:	11/08/2023	Sheet of
File:	\\.\HDK-RM20-KIT-4G.SchDoc	Drawn By:

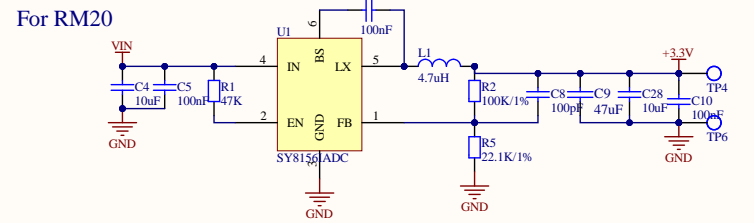


Title		
Size	Number	Revision
A4		
Date:	11/08/2023	Sheet of
File:	\\.\HLLK-RM20-KIT-5G.SchDoc	Drawn By:

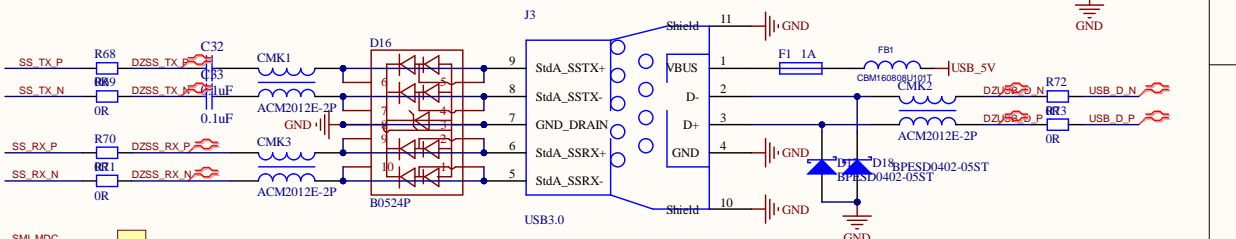
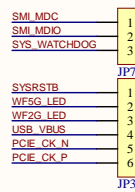
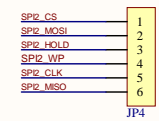
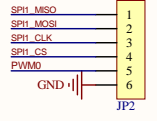
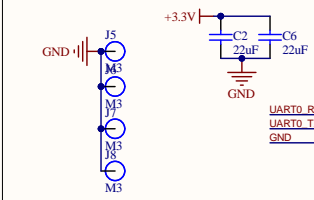
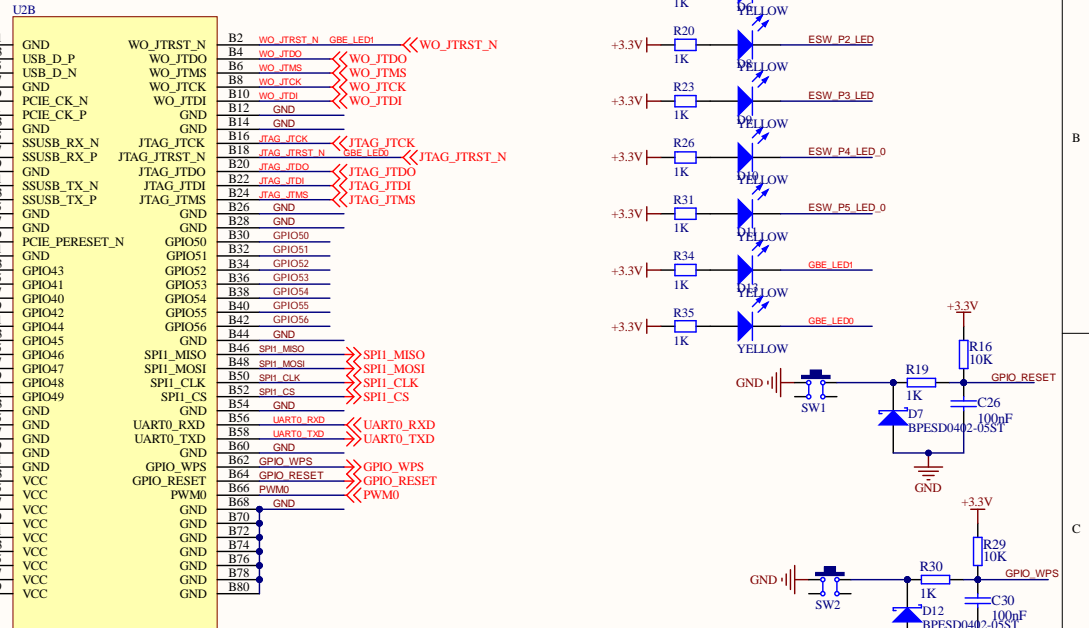
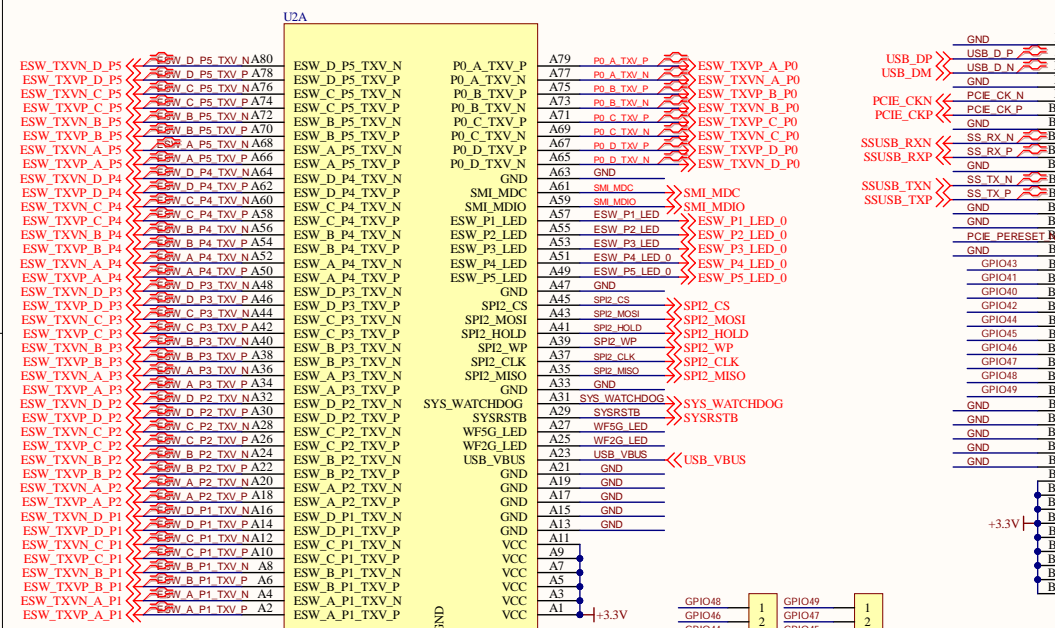
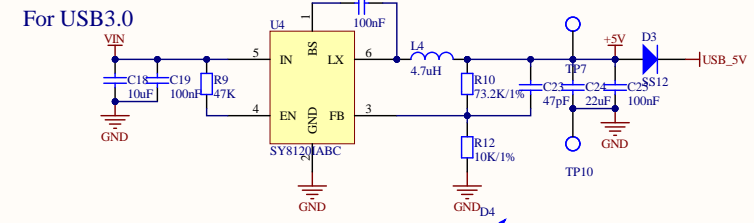
电源输入



R1 = 100K, R2 = 22.1K; Vout = 3.3149 V (3.2612 ~ 3.3698)



R1 = 73.2K, R2 = 10K; Vout = 4.9920 V (4.9050 ~ 5.0807)



Title		
Size	Number	Revision
A3		
Date:	11/08/2023	Sheet of
File:	\\HLK-RM20-KIT-POWER_LED.SchDoc	Drawn By:

